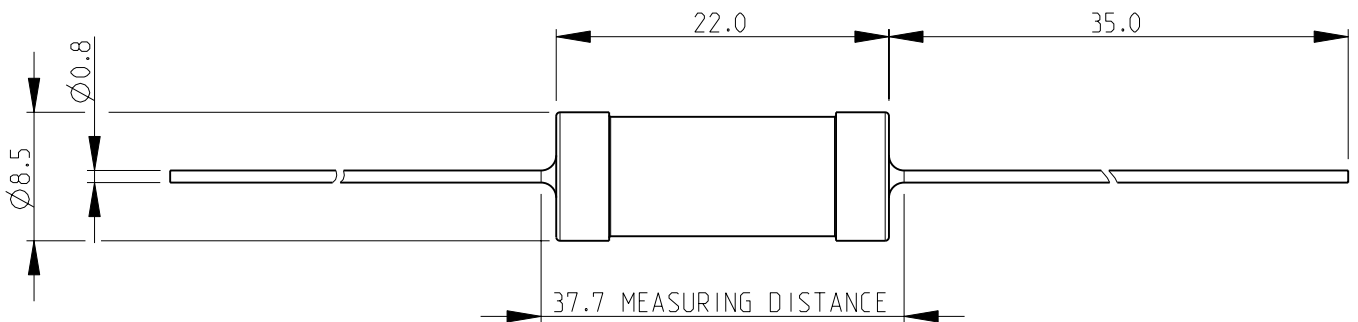
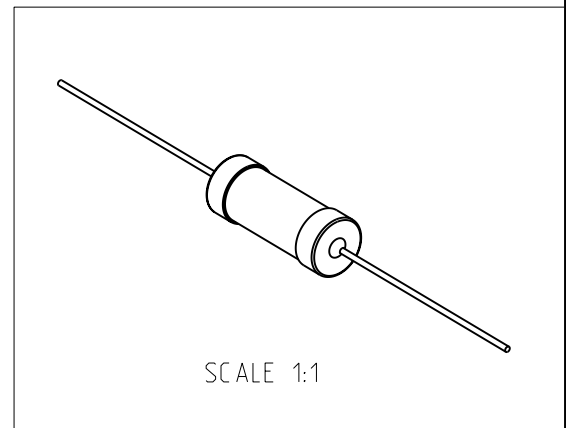


LOC	DIST	REVISIONS					
E	B	P	LTR	DESCRIPTION	DATE	DWN	APVD
			BA	NEW RELEASE	18-NOV-08	SM	St.P

FOR FURTHER INFORMATION SEE DATA SHEET FOR  
C SERIES-HIGH POWER RESISTORS



RoHS Compliant



SCALE 1:1

2008

RELEASED FOR PUBLICATION

THIS DRAWING IS UNPUBLISHED.

BY TYCO ELECTRONICS CORPORATION. ALL RIGHTS RESERVED.

DIMENSIONS: mm	DWN	SUBHASH.M	18-NOV-08	MATERIAL	-	FINISH	-
	CHK	PRAKASH.S	18-NOV-08	Tyco Electronics Tyco Electronics Corporation Dorcan, Swindon, SN3 5HH			
TOLERANCES UNLESS OTHERWISE SPECIFIED:	APVD	STEPHEN.P	18-NOV-08				
	0 PLC	$\pm 0.2$	PRODUCT SPEC	-	SIZE	CAGE CODE	DRAWING NO
1 PLC	$\pm 0.1$	APPLICATION SPEC	-	A 4	00779	C-1623772	-
2 PLC	$\pm$	WEIGHT	-	CUSTOMER DRAWING			
3 PLC	$\pm$			SCALE	2:1	SHEET	1 OF 1
4 PLC	$\pm$						REV
ANGLES	$\pm 5^\circ$						BA